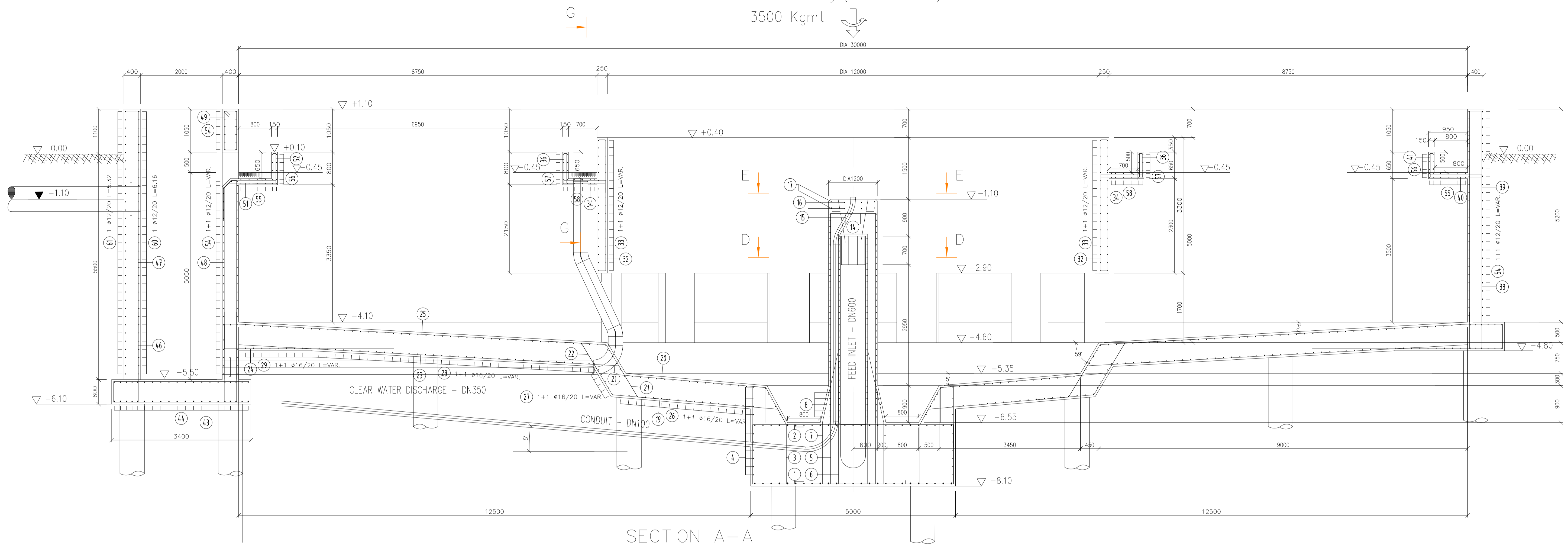


P=5000 Kg (with overload)  
3500 Kgmt

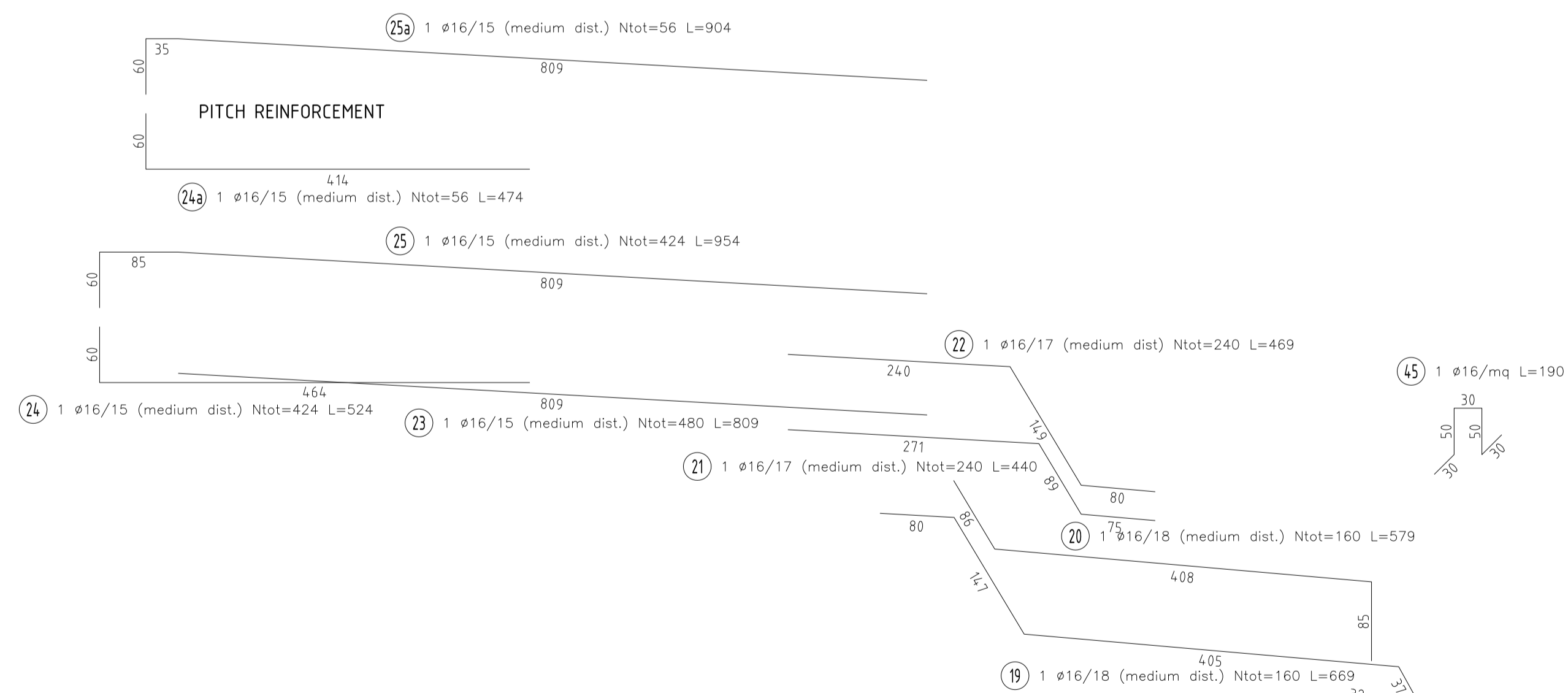
DIA 30000

DIA 12000



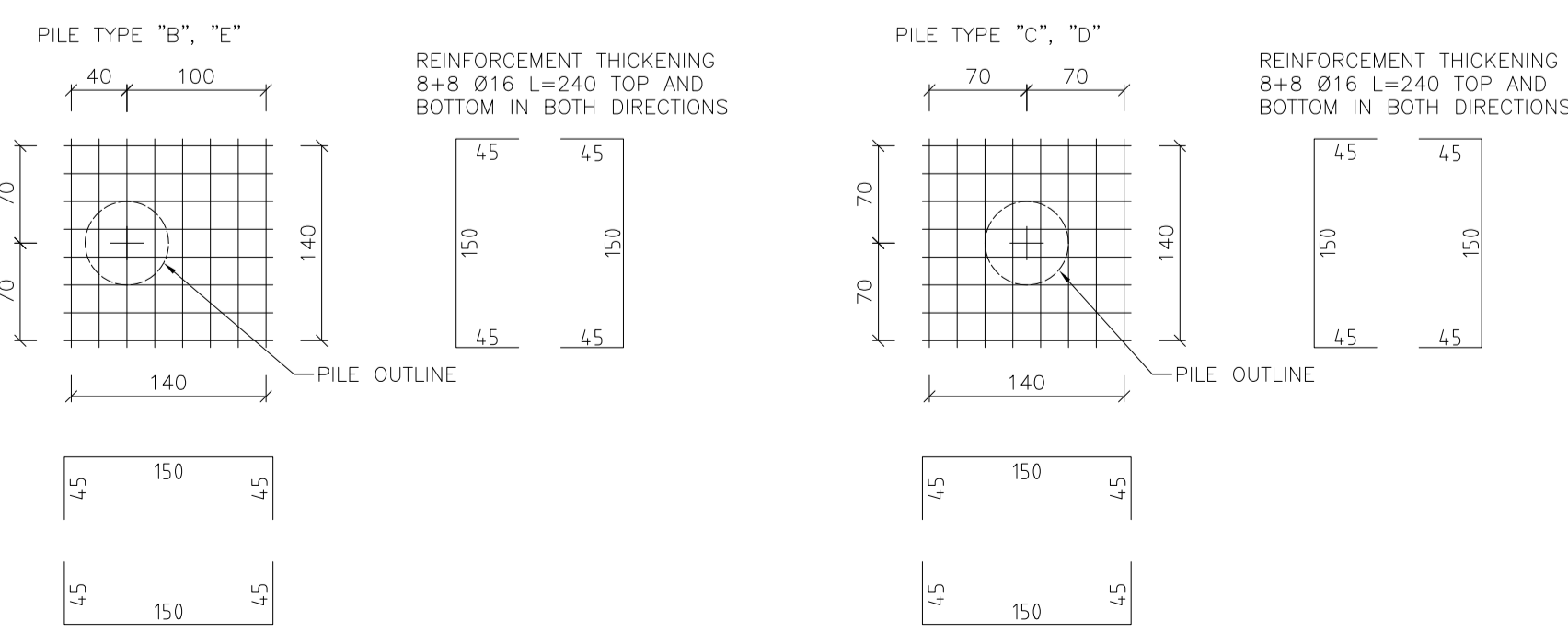
SECTION A-A

BEDPLATE REINFORCEMENT



SUPPLEMENTARY REINFORCEMENT OF MAT FOUNDATION ON PILES HEAD

SCALE 1:50



BAR SCHEDULE

MAT FOUNDATION

MARK	SIZE ø	QUANTITY	TIPE	LENGHT
1	ø 20	25+25	145 VAR 145	VAR (see schedule)
2	ø 20	25+25	145 VAR 145	VAR (see schedule)
3	ø 16	160	238 192 32 113	575
4	ø 12	10*3=30	593	593
5	ø 20	12	300 130	330
6	ø 20	8	300 130	330
7	ø 16	16	30 123 177	360
8	ø 8	5		VAR (see schedule)
9	ø 12	28		21900
10	ø 12	28		11200
11	ø 12	20	10 23	141
12	ø 20	16	510 155	565
13	ø 20	8	460 135	495
14	ø 16	24	71 12	95
15	ø 8	24	31 25 80	167
16	ø 10	2	R=21	125
17	ø 10	2	R=52	326
19	ø 16	160	80 55 405 15	669
20	ø 16	160	80 408 185	579
21	ø 16	240	271 75	440
22	ø 16	240	240 80	469
23	ø 16	480	809	809
24	ø 16	424	464 160	524
24a	ø 16	56	414 160	474
25	ø 16	424	60 85 809	954
25a	ø 16	56	60 75 809	904
26	ø 16			VAR (see schedule)
27	ø 16			VAR (see schedule)
28	ø 16			VAR (see schedule)
29	ø 16			VAR (see schedule)

MATERIALS

CONCRETE  
- LIGHT CONCRETE FOR LAYING FLOOR  
CONCRETE Rck=20 MPa  
- CONCRETE TYPE 1 (FOUNDATION PILES)  
CONCRETE C28/35 (Rck=35 MPa) - EXPOSURE CLASS XC2  
MAXIMUS W/C = 0.60 - CEMENT MINIMUM CONTENT = 300 kg/m³  
Dmax AGGREGATE = 20 mm  
CONSISTENCE CLASS = S5 - CHLORIDES CONTENT CLASS = CL 0.2  
- CONCRETE TYPE 2 (FOUNDATION AND ELEVATION STRUCTURES)  
CONCRETE C35/45 (Rck=45 MPa) - EXPOSURE CLASS XA3  
MAXIMUS W/C = 0.45 - CEMENT MINIMUM CONTENT = 360 kg/m³  
Dmax AGGREGATE = 20 mm  
CONSISTENCE CLASS = S4 - CHLORIDES CONTENT CLASS = CL 0.2  
- NET CONCRETE COVER FOR FOUNDATION AND ELEVATION STRUCTURES 4 cm

REINFORCED CONCRETE STEEL  
- EVERY STRUCTURE  
STEEL B450C

CARPENTRY STEEL  
- BEAMS AND PLATES  
TYPE S275  
BULLION CLASS 8.8  
WELDINGS II CLASS

NOTES

- ALL DIMENSIONS ARE IN cm EXCEPT OTHERWISE TECHNICAL SPECIFICATION  
- ELEVATION QUOTATIONS ARE IN m EXCEPT OTHERWISE TECHNICAL SPECIFICATION  
- THE POSITIONS OF ARRAYS AND FIXED WIRE MUST BE CHECKED ON SITE BEFORE ASSEMBLY OF DIFFERENT MEMBRATURE  
- IN CORRESPONDENCE OF WELLS, CHANNELS, PIPES, ETC. NOT HIGHLIGHTED WITH SECTIONS, WITH THE POSITION OF IRONS AND THEIR SIZE WILL VARY ACCORDINGLY  
- FOR PLACEMENT OF REINFORCEMENT IS REQUIRED THE USE OF PLASTIC SPACERS AND TIMELY VERIFICATION OF THE CORRECT BARS COVERING

0	JAN/31/2011	FIRST ISSUE				
REV.	DATA	DATE	DESCRIZIONE	DESCRIPTION	DISEGNO N° Drawing No	CONTR. Check
					2010.101- CIV-012_3	APPROV. APPROV
			CLIENTE Customer <b>OKPAI</b>		DISEGNO N° 2010.101- CIV-012_3 SCALA Scale 1:50 FOLIO N° Sheet No 3of3 FORMATO Size A1	
			TITOLO Title <b>CLARIFLOCCULATOR FOUNDATIONS-CARPENTRY AND CONCRETE REINFORCEMENT SECTION</b>			
Engineering & Contracting Tunis (Tunisia)			IMPIANTO Plant <b>WELL WATER TREATMENT PLANT</b>			